

TETRA Hydraulic Cylinder Double Acting Type



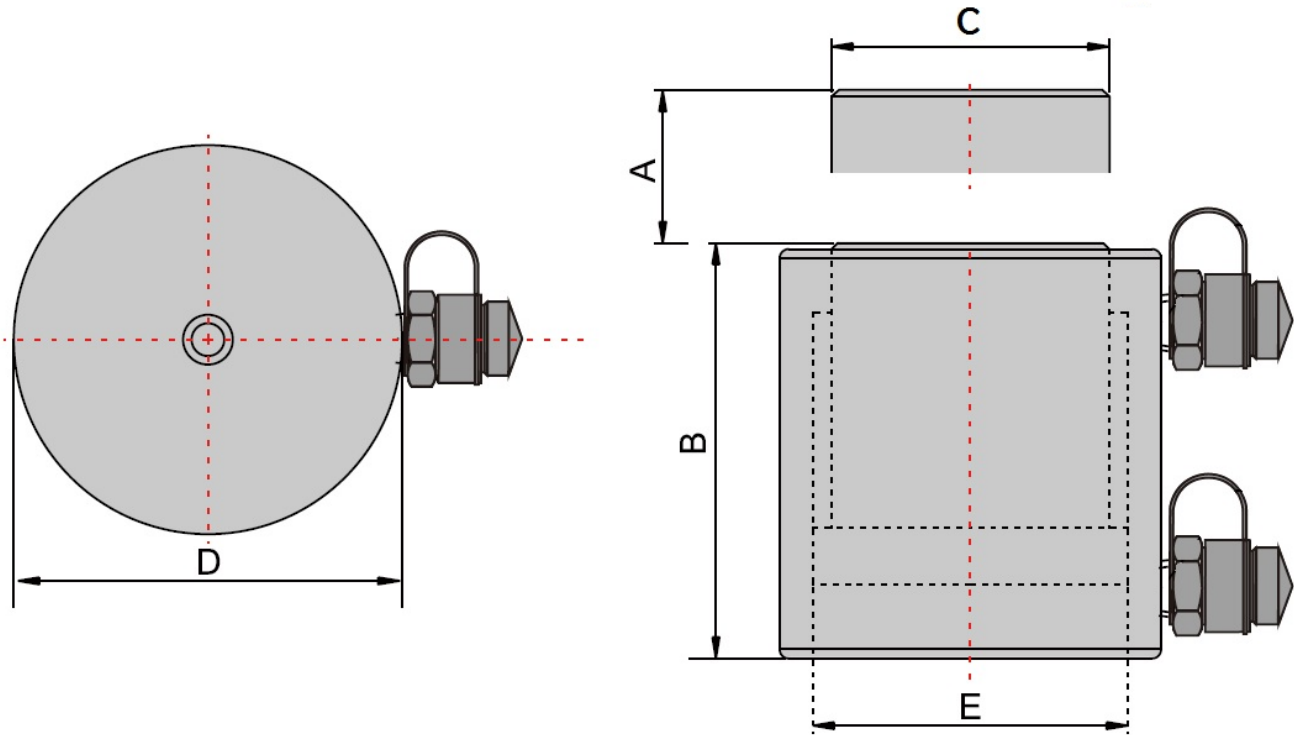
Tetra Hydraulic cylinder range features an assortment of high quality cylinders designed for a number of different applications. The range consists of;

- Regular cylinders (spring return)
- Hollow cylinder (spring return)
- Extra low height cylinders (spring return)
- Multistage cylinders (spring return)
- Double acting cylinders (hydraulic return)

Made of heavy-duty metal, our hydraulic cylinder is durable and designed for long-lasting use.
Paint sprayed to prevent scratching and corrosion.
Supplied with bag of spare seal rings.



Dimensions:



			A	B	C	D	E
Code	Product	Lifting cap (Ton)	Stroke (mm)	Closed Height (mm)	Piston diameter (mm)	Cylinder size (mm)	Effective area (cm ²)
12364	TETRA THC-20300D	20 Ton	300 mm	400 mm	50 mm	80 mm	28,3 cm ²
12365	TETRA THC-50200D	50 Ton	200 mm	315 mm	80 mm	130 mm	63,6 cm ²
12366	TETRA THC-50300D	50 Ton	300 mm	415 mm	80 mm	130 mm	63,6 cm ²

Code	Product	Oil cap (cc)	USE PUMP	IMPA
12364	TETRA THC-20300D	849 cc	THHP-700S	615149
12365	TETRA THC-50200D	1272 cc	THHP-700S	615150
12366	TETRA THC-50300D	1980 cc	THHP-700S	615151

High flow 3/8" NPT Connection

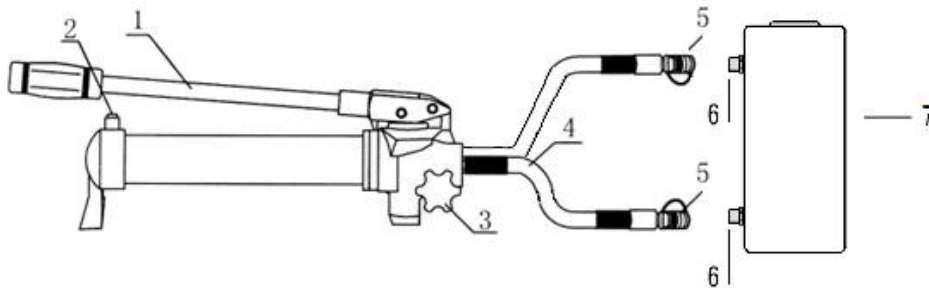


Pump hose end



Cylinder side

Basic double acting hydraulic cylinder set-up



- 1) Handlever
- 2) Oil reservoir plug
- 3) Return valve
- 4) Hose 1,5 meter (male thread in pump, other side female thread)
- 5) Female Hydraulic coupler
- 6) Male Hydraulic coupler
- 7) Hydraulic cylinders

