

TETRA Hydraulic Cylinder Spring Return Type



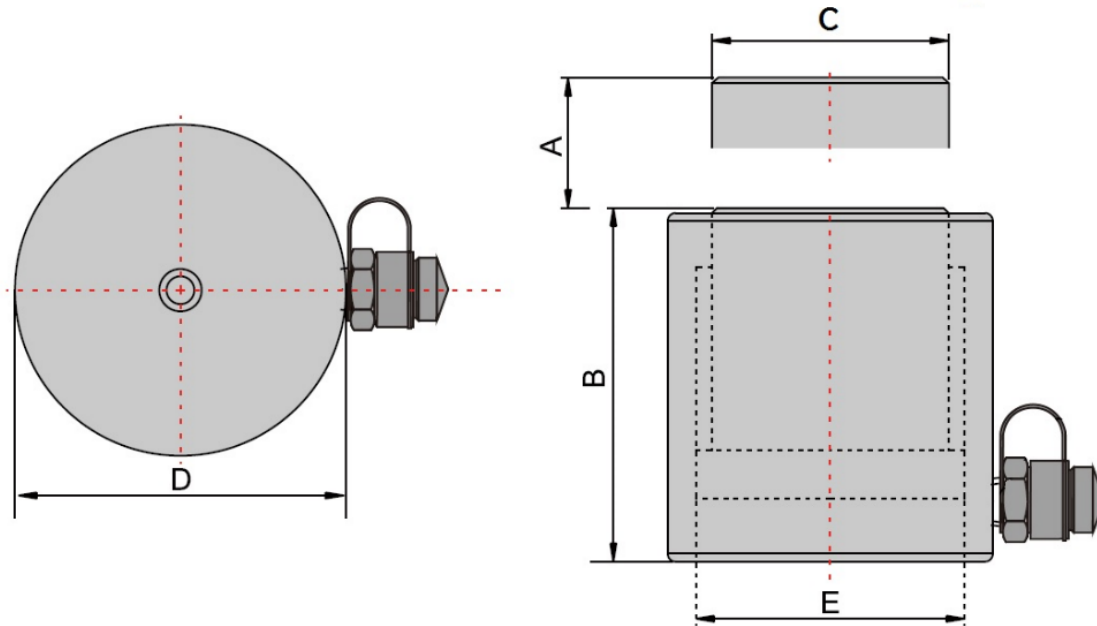
Tetra Hydraulic cylinder range features an assortment of high quality cylinders designed for a number of different applications. The range consists of;

- Regular cylinders (spring return)
- Hollow cylinder (spring return)
- Extra low height cylinders (spring return)
- Multistage cylinders (spring return)
- Double acting cylinders (hydraulic return)

Made of heavy-duty metal, our hydraulic cylinder is durable and designed for long-lasting use.
Paint sprayed to prevent scratching and corrosion.
Supplied with bag of spare seal rings.



Dimensions:



Code	Product	Lifting cap (Ton)	A Stroke (mm)	B Closed Height (mm)	C Piston diameter (mm)	D Cylinder size OUTER dia	E Effective area (cm ²)
12340	TETRA THC-1050	10 Ton	50 mm	103 mm	38 mm	64 mm	15,9 cm ²
12341	TETRA THC-10150	10 Ton	150 mm	200 mm	38 mm	64 mm	15,9 cm ²
12342	TETRA THC-2050	20 Ton	50 mm	105 mm	38 mm	64 mm	15,9 cm ²
12343	TETRA THC-20100	20 Ton	100 mm	155 mm	50 mm	84 mm	28,3 cm ²
12344	TETRA THC-20150	20 Ton	150 mm	205 mm	50 mm	84 mm	28,3 cm ²
12345	TETRA THC-30100	30 Ton	100 mm	160 mm	65 mm	103 mm	38,5 cm ²
12346	TETRA THC-30150	30 Ton	150 mm	210 mm	65 mm	103 mm	38,5 cm ²
12347	TETRA THC-5050	50 Ton	50 mm	115 mm	80 mm	118 mm	63,6 cm ²
12348	TETRA THC-50100	50 Ton	100 mm	165 mm	80 mm	118 mm	63,6 cm ²
12349	TETRA THC-50150	50 Ton	150 mm	215 mm	80 mm	118 mm	63,6 cm ²
12350	TETRA THC-10050	50 Ton	50 mm	132 mm	100 mm	178 mm	132,6 cm ²
12351	TETRA THC-100150	100 Ton	150 mm	232 mm	100 mm	178 mm	132,6 cm ²

High flow 3/8" NPT Connection



Pump hose end



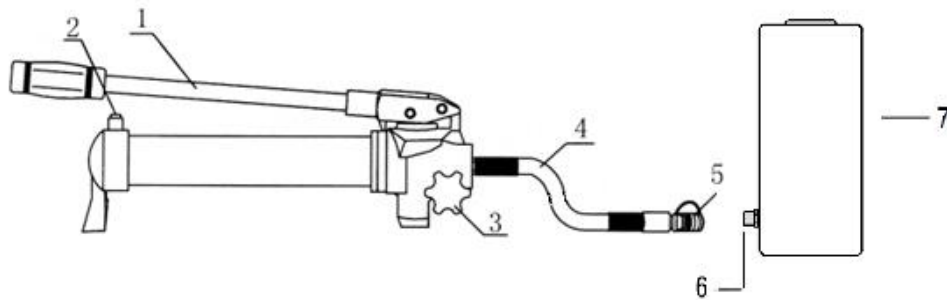
Cylinder side

Weight and other:

Code	Product	Oil cap (cc)	USE PUMP	IMPA	Nett Weight (kg)	Box weight	Box size (cm)
12340	TETRA THC-1050	79 cc	THHP-700C	615136	2,2 kg	2,5 kg	14 x 13 x 8
12341	TETRA THC-10150	238 cc	THHP-700 or THHP-700B	615137	5,1 kg	5,5 kg	23 x 15 x 11
12342	TETRA THC-2050	141 cc	THHP-700 or THHP-700B	615138	4,2 kg	4,5 kg	17 x 13 x 10
12343	TETRA THC-20100	283 cc	THHP-700 or THHP-700B	615139	6,7 kg	7,1 kg	13 x 17 x 13
12344	TETRA THC-20150	424 cc	THHP-700 or THHP-700B	615148	7,4 kg	8,7 kg	13 x 22 x 13
12345	TETRA THC-30100	442 cc	THHP-700 or THHP-700B	615140	9 kg	9,5 kg	15 x 18 x 15
12346	TETRA THC-30150	663 cc	THHP-700A	615140	11,6 kg	12 kg	25 x 17 x 16
12347	TETRA THC-5050	354 cc	THHP-700 or THHP-700B	615142	8,4 kg	9 kg	20 x 14 x 14
12348	TETRA THC-50100	708 cc	THHP-700A		11,6 kg	13 kg	20 x 19 x 16
12349	TETRA THC-50150	1062 cc	THHP-700A	615143	14,6 kg	15 kg	26 x 18 x 16
12350	TETRA THC-10050	715 cc	THHP-700 or THHP-700B		22,4 kg	23,5 kg	23 x 23 x 15
12351	TETRA THC-100150	2145 cc	THHP-700A	615152	43,6 kg	44,5 kg	25 x 25 x 31



Basic spring return hydraulic cylinder set-up



- 1) Handlever
- 2) Oil reservoir plug
- 3) Return valve
- 4) Hose 1,5 meter (male thread in pump, other side female thread)
- 5) Female Hydraulic coupler
- 6) Male Hydraulic coupler
- 7) Hydraulic cylinders

