

JTVA-075

Manual Lever Hoist, cap 0.75 ton



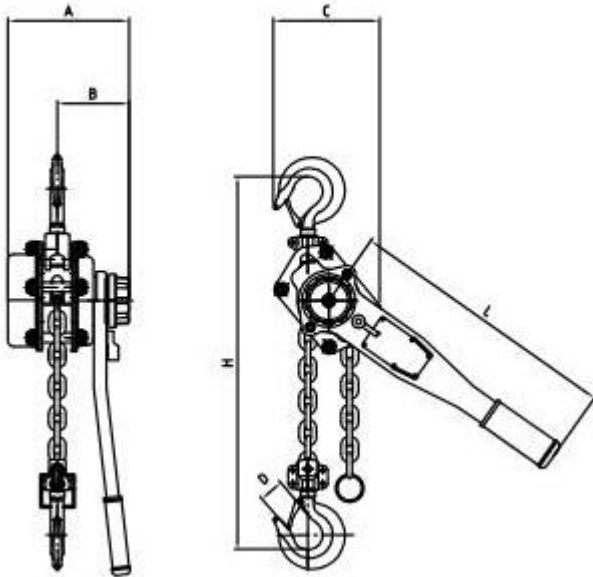
IMPA Number: 615001

Product code: 8585

Product specs:

Max capacity	750 Kg
Tested capacity	1.125 KG
Max lifting height	1.5 M
Material	Steel
Chain material	Steel alloy
Type	Lever chain hoist
Max effort required to lift	140 N
Nett weight	7 Kg
Packed size	37 x 14 x 20 cm
Packed (gross) weight	7.6 kg
Approvals	CE approved

JTVA-075
Manual Lever Hoist, cap 0.75 ton



WLL	Lift	Load chain		Dimensions (mm)					
		Falls	Size	H	A	B	C	D	L
0.75 T	1.5 m	1	6 x 18	320	151	91	135	32	290