



TETRA N-24E
Pneumatic Needle Scaler



IMPA Number: 590463

Product code: 2089

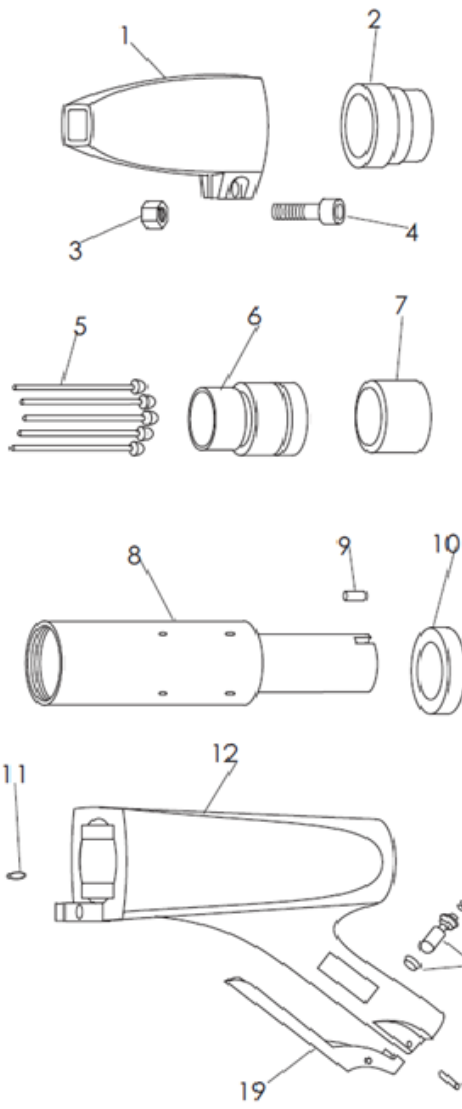


Product specs:

Air inlet	3/8" NPT Female
Air consumption	0.24 m3/min
Frequency	4200 BPM
Number of needles	3x180mm = 23 pcs / 2x180mm = 53 pcs
Machine length	31.5 cm
Nett weight	2.8 KG
Gross weight	3.2 KG
Box size	36 x 7 x 20 cm
Approvals	CE approved

TETRA N-24E Pneumatic Needle Scaler

Exploded View, Assembly and Part List N-24



Illus No.	TETRA SKU.	Part No.	Nitto No.	Part Description	Qty/ Tool
1.	4103	022 4001	TA93189	Needle Guide	1
2.	4023	022 4017	TP02246	Stop Ring	1
3.	4104	022 4021	TQ01484	Nut	1
4.	4105	022 4023	TP16284	Clamp Bolt	1
5.	2137*	022 9004	TP00341	Needle (3mm x 180mm)	23
--	2135*	022 9008	TP00342	Needle (2mm x 180mm)	53
6.	4022	022 4045	TP02245	Needle Supporter (3mm)	1
--	4102	022 4047	TP02244	Needle Supporter (2mm)	1
7.	4021	022 4019	TP02243	Throttle Anvil	1
8.	4096	022 4002	TP02241	Cylinder	1
9.	2115	022 9023	TP01478	Cylinder Lock Pin	1
10.	4098	022 4005	TP02250	Front Washer	1
11.	4097	022 4003	TP11992	'O' Ring, Housing	1
12.	4099	022 4007	TA90904	Housing	1
13.	2116	022 9029A	TA90037	Throttle Valve Assembly	1
14.	2126	022 9027	TP00388	Valve Packing	1
15.	4026	022 9025	TP00389	Valve Cap	1
16.	4029	022 4009	TP02242	Piston	1
17.	4028	022 4011	TP02249	Rear Washer	1
18.	4027	022 4013	TA93278	Rear Plug	1
19.	2116	022 9031	TP01557	Throttle Lever	1
20.	2117	022 9033	TQ00563	Lever Pin	1
--	2127	022 9039	TP00170	Hex Key	1
--	2124	022 9041	TQ02349	Reducer	1
--	2131	022 9043	TQ03262	Nipple	1

* Only boxes with 100pcs needles available.