

TETRA TDPK-25 AL/B

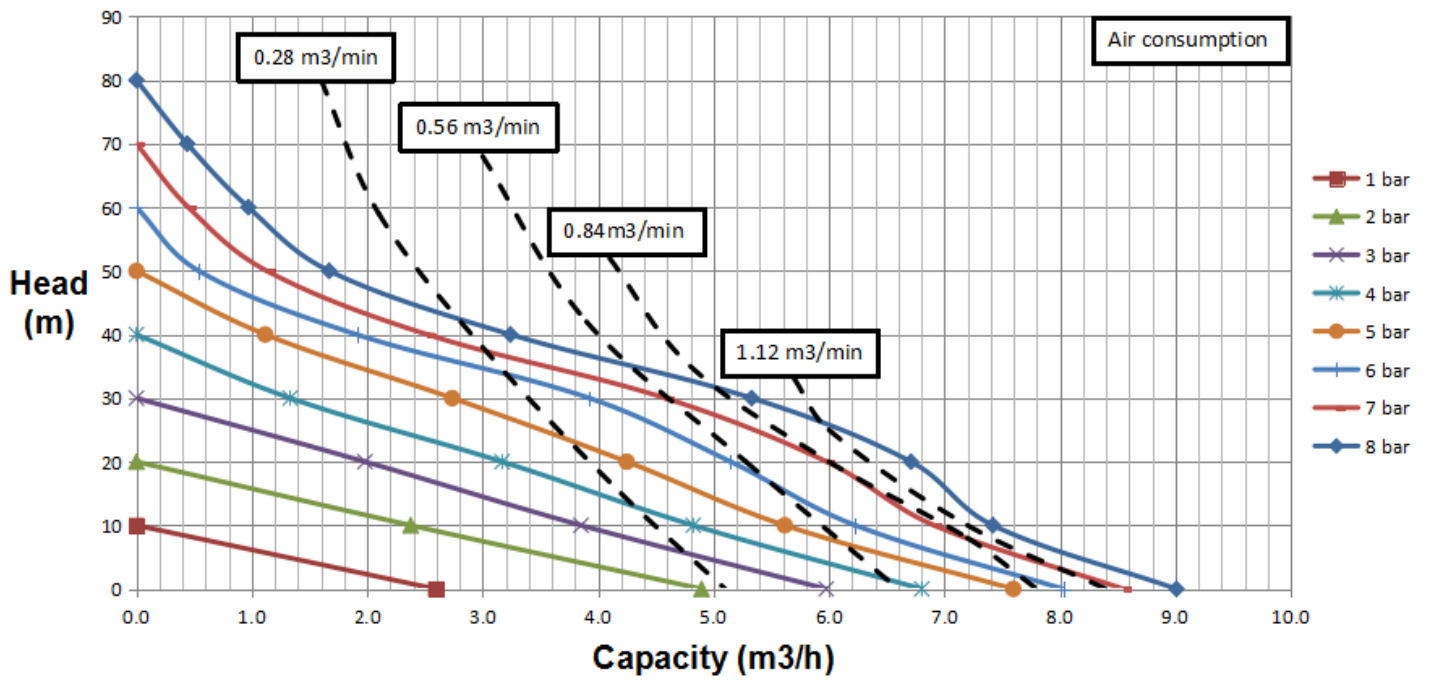
Pneumatic diaphragm pump, aluminium frame, buna diaphragms, in/out 1"



Specs:	
Inlet size	1" BSP
Discharge size	1" BSP
Body material	Aluminium
Diaphragm material	Buna
Air inlet	1/2 "
Flow rate	9 m3/h
Suction lift	7 m
Head	0 - 84 m
Max. grain size	5 mm
Max. air consumption	1400 L/min
Weight	11,9 KG



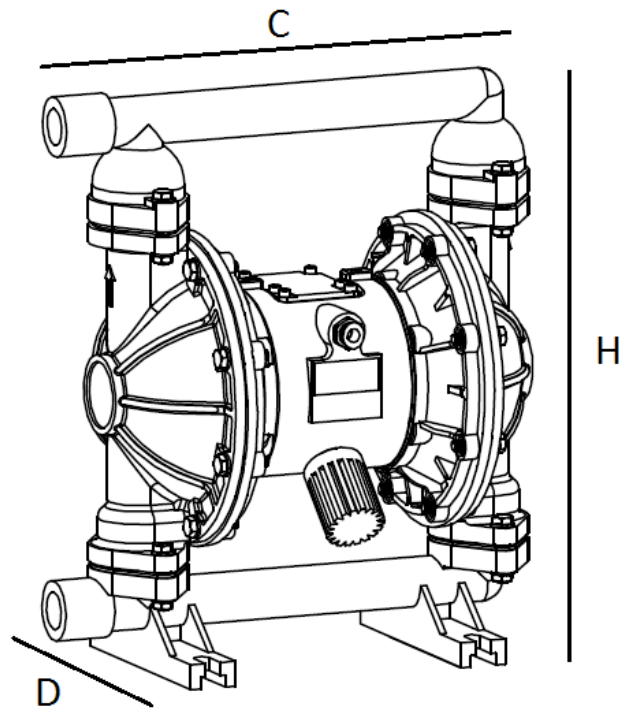
TDPK-25 pump performance curve



Spare Parts:

Spare part	Model	Qty Per Pump	Tetra part number	
			Buna	Teflon
Diaphragm	TDPK-25	2	3175	7713
Ball	TDPK-25	4	3337	3341
Ball seat	TDPK-25	4	3338	3342
Spare set	TDPK-25	1	3340	3339

Dimensions:



Model	C	D	H
TDPK-15	195	150	251
TDPK-25	380	230	437
TDPK-40			
TDPK-50	489	345	700
TDPK-80	565	450	865
TDPK-100			

Dimensions in mm.

Features of some kind of diaphragm materials:		
	Buna-N	Teflon
Nitric acid, fuming	X	G
Nitric acid, concentrated	X	G
Sulphuric acid, concentrated	X	G
Hydrochloric acid, concentrated	X	G
Phosphoric acid, concentrated	X	G
Acetic acid, concentrated	X	G
Sodium hydroxide, concentrated	L	G
Anhydrous ammonia	G	G
Nitric acid, dilute	X	G
Sulphuric acid, dilute	G	G
Hydrochloric acid, dilute	X	G
Phosphoric acid, dilute	X	G
Sodium hydroxide, dilute	L	G
Ammonia liquid	G	X
Benzene	X	L
Gasoline	L	L
Petroleum	G	L
Carbon tetrachloride	L	L
Carbon disulfide	L	L
Ethanol	L	L
Acetone	X	L
Cresol	X	L
Acetaldehyde	X	L
Ethyl benzene	X	L
Acrylonitrile	G	L
N-Butanol	L	L
Butadiene	L	L
Styrene	X	L
Ethyl acetate	X	L
Aether	X	X
L = Long service life		
G = General service life		
X = Not recommended		