

TETRA TDPK-15 AL/B

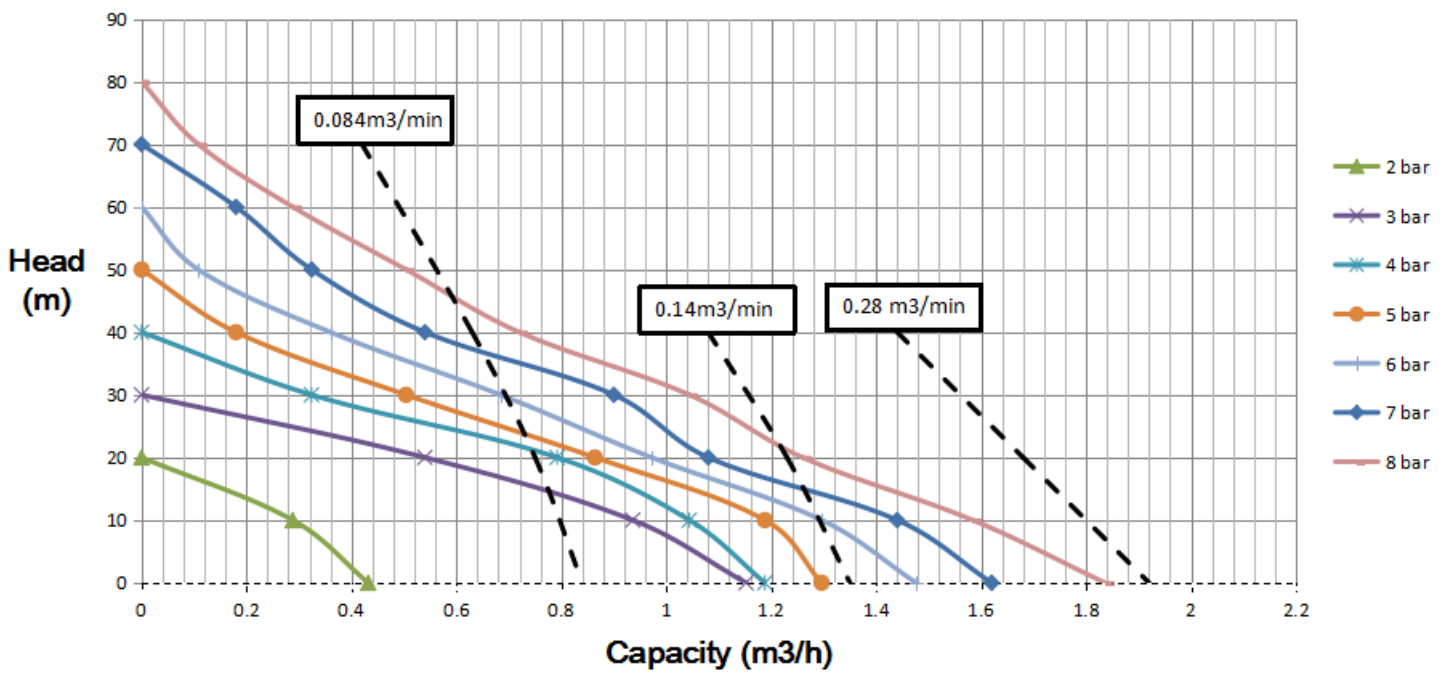
Pneumatic diaphragm pump, aluminium frame, buna diaphragms, in/out 1/2"



Specs:	
Inlet size	1/2" BSP
Discharge size	1/2" BSP
Body material	Aluminum
Diaphragm material	Buna
Air inlet	3/8 " BSP
Flow rate	1.85 m ³ /h
Suction lift	5 m
Head	0 - 84 m
Max. grain size	2.5 mm
Max. air consumption	170 L/min
Weight	6,7 KG



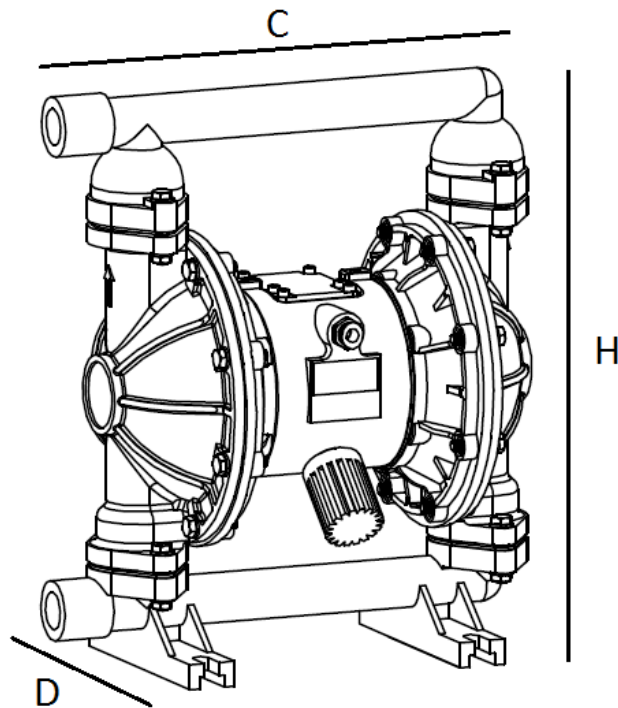
TDPK-15 pump performance curve



Spare Parts:

Spare part	Model	Qty Per Pump	Tetra part number	
			Buna	Teflon
Diaphragm	TDPK-15	2	8117	8116
Ball	TDPK-15	4	8119	8121
Ball seat	TDPK-15	4	8118	8120
Spare set	TDPK-15	1	11808	9715

Dimensions:



Model	C	D	H
TDPK-15	195	150	251
TDPK-25	380	230	437
TDPK-40			
TDPK-50	489	345	700
TDPK-80	565	450	865
TDPK-100			

Dimensions in mm.

Features of some kind of diaphragm materials:		
	Buna-N	Teflon
Nitric acid, fuming	X	G
Nitric acid, concentrated	X	G
Sulphuric acid, concentrated	X	G
Hydrochloric acid, concentrated	X	G
Phosphoric acid, concentrated	X	G
Acetic acid, concentrated	X	G
Sodium hydroxide, concentrated	L	G
Anhydrous ammonia	G	G
Nitric acid, dilute	X	G
Sulphuric acid, dilute	G	G
Hydrochloric acid, dilute	X	G
Phosphoric acid, dilute	X	G
Sodium hydroxide, dilute	L	G
Ammonia liquid	G	X
Benzene	X	L
Gasoline	L	L
Petroleum	G	L
Carbon tetrachloride	L	L
Carbon disulfide	L	L
Ethanol	L	L
Acetone	X	L
Cresol	X	L
Acetaldehyde	X	L
Ethyl benzene	X	L
Acrylonitrile	G	L
N-Butanol	L	L
Butadiene	L	L
Styrene	X	L
Ethyl acetate	X	L
Aether	X	X
L = Long service life		
G = General service life		
X = Not recommended		