



JTVA-300
Manual Lever Hoist, cap 3.0 ton



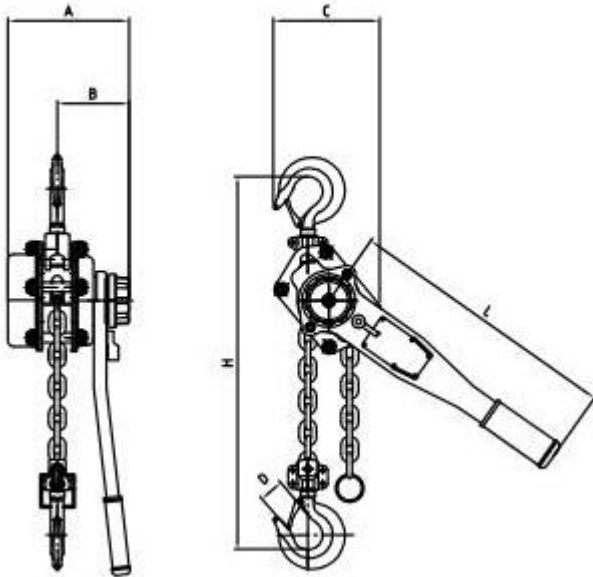
IMPA Number: 615003

Product code: 8587

Product specs:

Max capacity	3.000 Kg
Tested capacity	4.500 KG
Max lifting height	1.5 M
Material	Steel
Chain material	Steel alloy
Type	Lever chain hoist
Max effort required to lift	320 N
Nett weight	19 Kg
Packed size	55 x 24 x 16 cm
Packed (gross) weight	23 kg
Approvals	CE approved

JTVA-300
Manual Lever Hoist, cap 3.0 ton



WLL	Lift	Load chain		Dimensions (mm)					
		Falls	Size	H	A	B	C	D	L
3.0 T	1.5 m	1	10 x 30	480	195	109	211	46	415