

TETRA TDPKN-80 PP/T

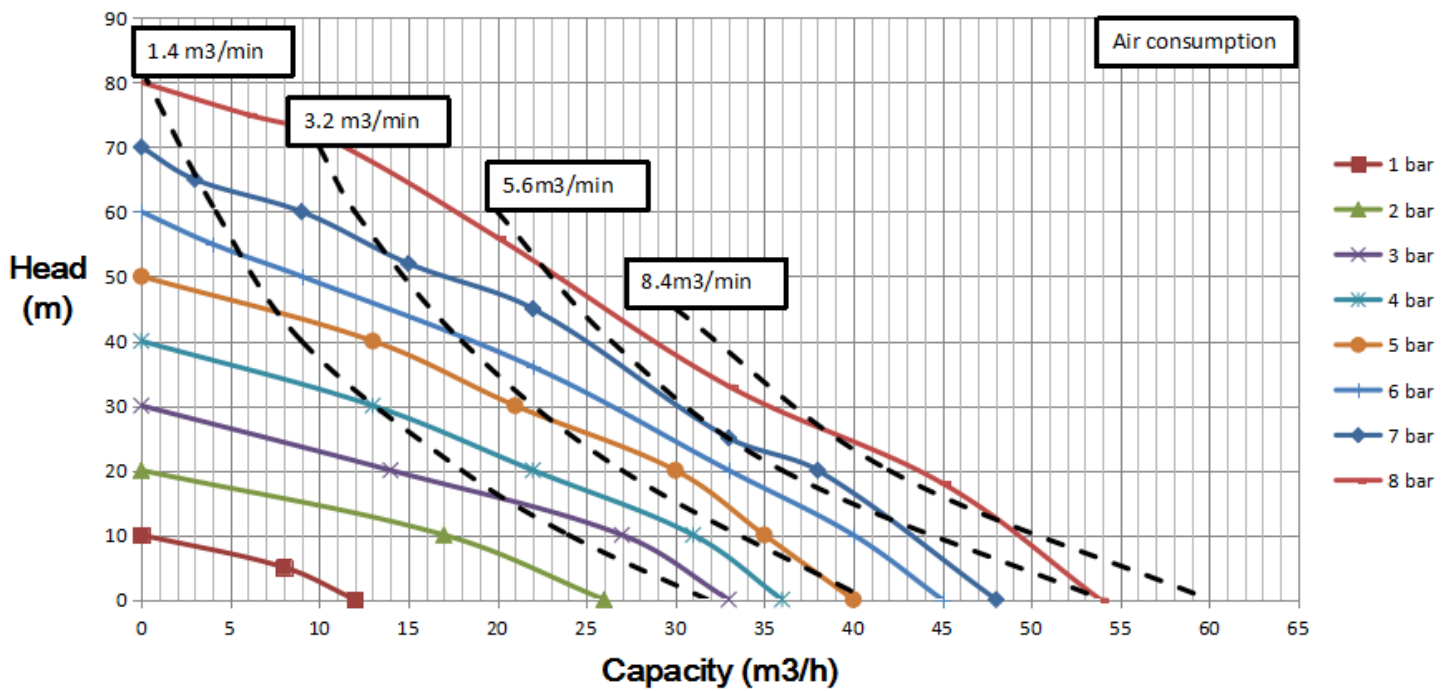
Pneumatic diaphragm pump, polypropylene frame, teflon diaphragms, in/out 3"



Specs:	
Inlet size	3" - DIN2566
Discharge size	3" - DIN2566
Body material	Polypropylene
Diaphragm material	Teflon
Air inlet	1/2 "
Flow rate	55 m3/h
Suction lift	7 m
Head	0 - 84 m
Max. grain size	10 mm
Max. air consumption	8420 L/min
Weight	48 KG



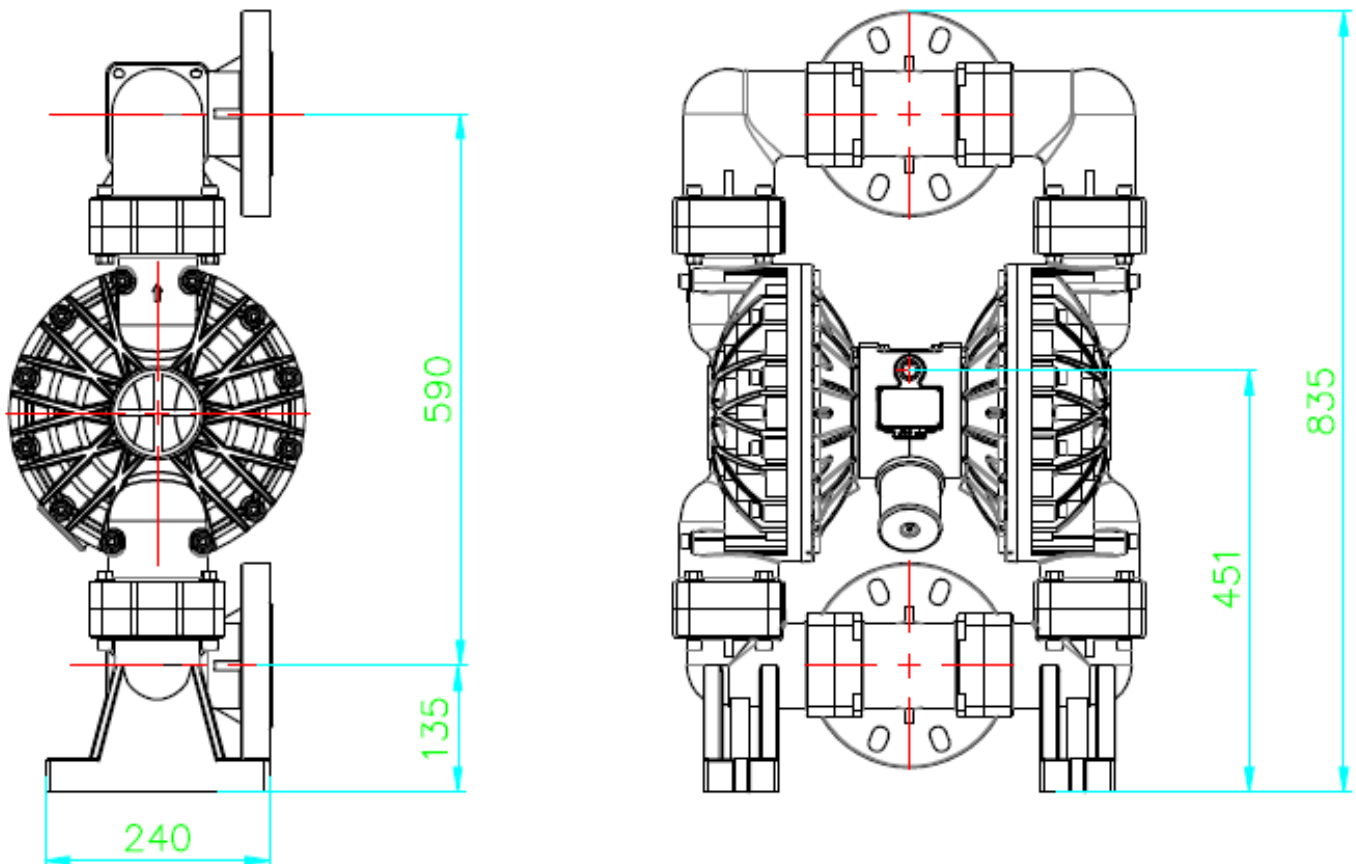
TDPKN-80 pump performance curve



Spare Parts:

Spare part	Model	Qty Per Pump	Tetra part number
			Teflon
Diaphragm	TDPKN-80	2	13006
Ball	TDPKN-80	4	13004
Ball seat	TDPKN-80	4	13005
Spare set	TDPKN-80	1	13007

Dimensions:



Dimensions in mm.



Features of some kind of diaphragm materials:		
	Buna-N	Teflon
Nitric acid, fuming	X	G
Nitric acid, concentrated	X	G
Sulphuric acid, concentrated	X	G
Hydrochloric acid, concentrated	X	G
Phosphoric acid, concentrated	X	G
Acetic acid, concentrated	X	G
Sodium hydroxide, concentrated	L	G
Anhydrous ammonia	G	G
Nitric acid, dilute	X	G
Sulphuric acid, dilute	G	G
Hydrochloric acid, dilute	X	G
Phosphoric acid, dilute	X	G
Sodium hydroxide, dilute	L	G
Ammonia liquid	G	X
Benzene	X	L
Gasoline	L	L
Petroleum	G	L
Carbon tetrachloride	L	L
Carbon disulfide	L	L
Ethanol	L	L
Acetone	X	L
Cresol	X	L
Acetaldehyde	X	L
Ethyl benzene	X	L
Acrylonitrile	G	L
N-Butanol	L	L
Butadiene	L	L
Styrene	X	L
Ethyl acetate	X	L
Aether	X	X
L = Long service life		
G = General service life		
X = Not recommended		