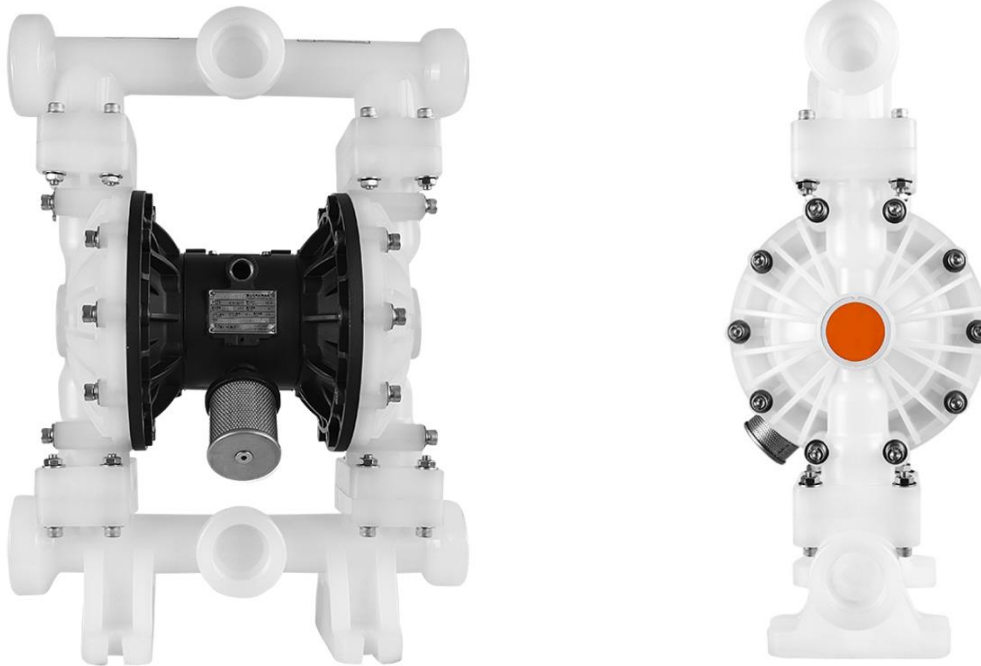


TETRA TDPKN-50 PP/T

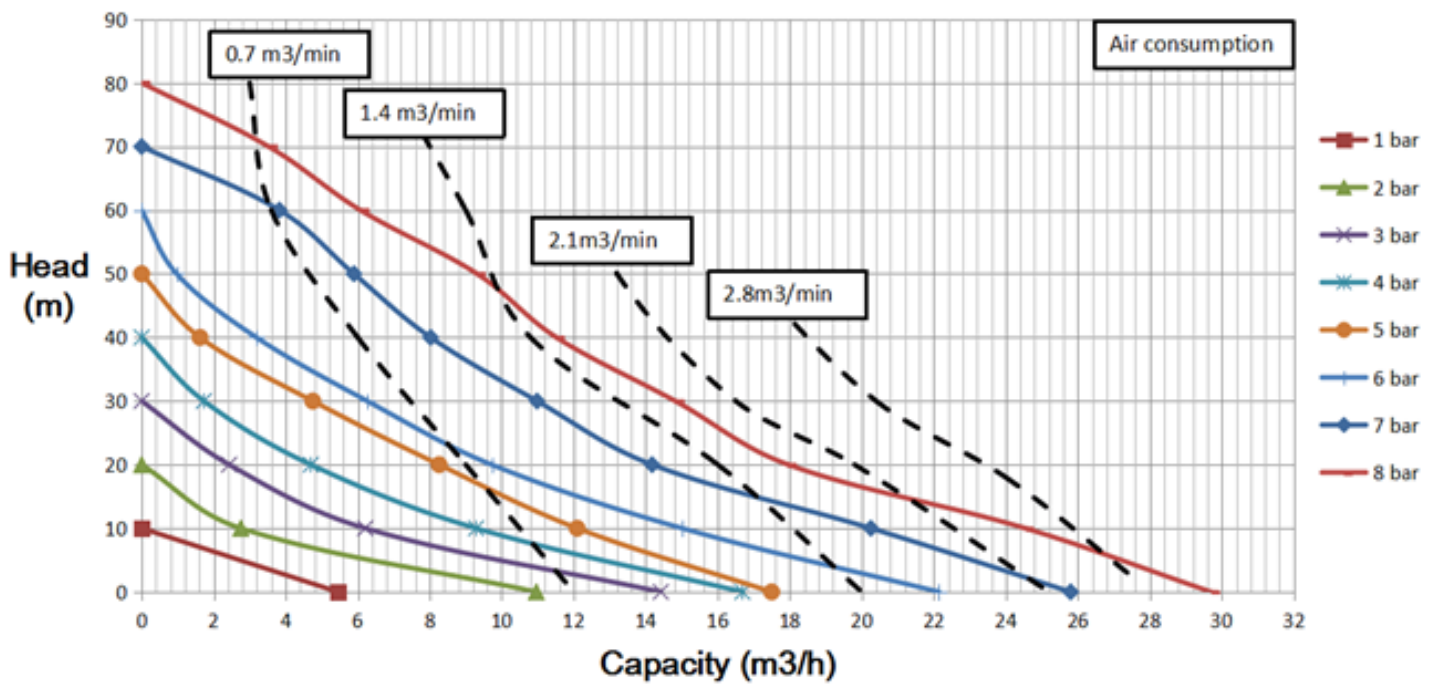
Pneumatic diaphragm pump, polypropylene frame, teflon diaphragms, in/out 2"



Specs:	
Inlet size	2" - DIN2566
Discharge size	2" - DIN2566
Body material	Polypropylene
Diaphragm material	Teflon
Air inlet	1/2 "
Flow rate	30 m3/h
Suction lift	7 m
Head	0 - 84 m
Max. grain size	6 mm
Max. air consumption	1870 L/min
Weight	28 KG



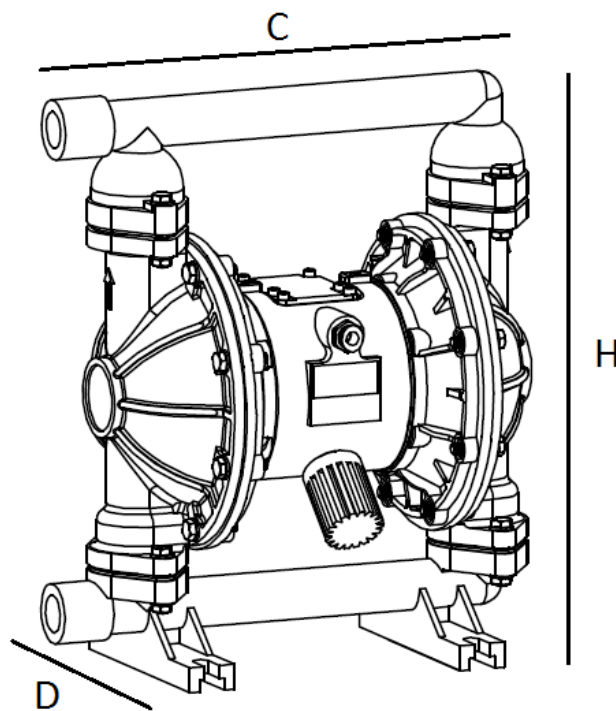
TDPKN-50 pump performance curve



Spare Parts:

Spare part	Model	Qty Per Pump	Tetra part number
			Teflon
Diaphragm	TDPKN-50	2	13002
Ball	TDPKN-50	4	13000
Ball seat	TDPKN-50	4	13001
Spare set	TDPKN-50	1	13003

Dimensions:



Model	C	D	H
TDPKN-25	424	190	484
TDPKN-40			
TDPKN-50	479	273	648
TDPKN-80	506	318	835
TDPKN-100			

Dimensions in mm.



Features of some kind of diaphragm materials:		
	Buna-N	Teflon
Nitric acid, fuming	X	G
Nitric acid, concentrated	X	G
Sulphuric acid, concentrated	X	G
Hydrochloric acid, concentrated	X	G
Phosphoric acid, concentrated	X	G
Acetic acid, concentrated	X	G
Sodium hydroxide, concentrated	L	G
Anhydrous ammonia	G	G
Nitric acid, dilute	X	G
Sulphuric acid, dilute	G	G
Hydrochloric acid, dilute	X	G
Phosphoric acid, dilute	X	G
Sodium hydroxide, dilute	L	G
Ammonia liquid	G	X
Benzene	X	L
Gasoline	L	L
Petroleum	G	L
Carbon tetrachloride	L	L
Carbon disulfide	L	L
Ethanol	L	L
Acetone	X	L
Cresol	X	L
Acetaldehyde	X	L
Ethyl benzene	X	L
Acrylonitrile	G	L
N-Butanol	L	L
Butadiene	L	L
Styrene	X	L
Ethyl acetate	X	L
Aether	X	X
L = Long service life		
G = General service life		
X = Not recommended		