

JTVXPro-010

Semi-Automatic chain hoist, Cap 1 ton *



IMPA Number: 615007

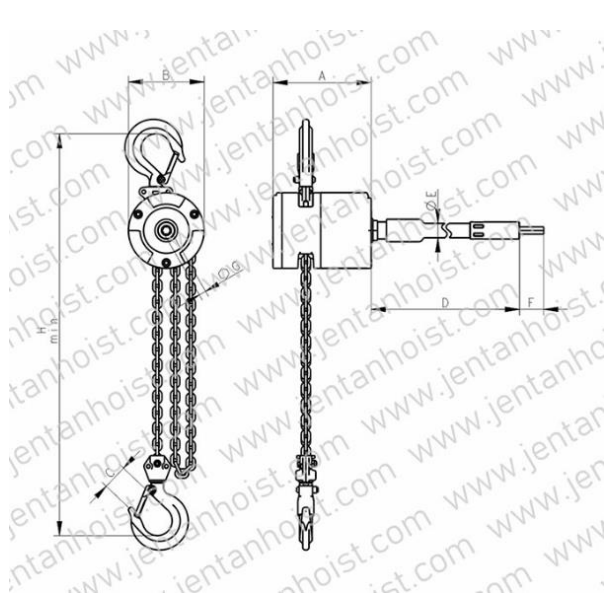
Product code: 12886

- Standard product is attached with 5 ft flexible shaft ,and a handle.
- Lifting speed meets the specifications when r.p.m. of cordless driver drill is 1300.
- Do not use electric or pneumatic impact driver.
- Load capacity 1T.
- Can connect a power drill directly to the drive mechanism.

Product specs:

Max capacity	1000 Kg
Tested capacity	1500 Kg
Max lifting height	3 Meters
Material	Aluminum
Chain material	Steel alloy
Type	Semi-Automatic chain hoist
Approvals	CE approved

JTVXPro-010
Semi-Automatic chain hoist, Cap 1 ton *



CODE	WLL (T)	Lift(m)	Load Chain		Dimensions (mm)				N.W.(kg)	G.W.(kg)	Packed size (cm)
			Falls	Size	A	B	C	D			
12886	1	3	2	XXXXXX	122	102	32.3	1500	3.3	5.3	20 x 25 x 17.5

Controllable by means of:

- Power drill directly to the drive mechanism with 1.5 meter flexible shaft
- OR
- by hand with the handle.

